

## Stacked Disc Cartridge Housing BECO INTEGRA® DISC MA Range

### Enclosed Stacked Disc Cartridge Housing in Industrial Design

BECO INTEGRA DISC MA stacked disc cartridge housings are enclosed depth filtration systems designed for a wide range of filtration tasks for applications in the chemical industry and related sectors.

#### Special features

- ATEX certified
- High chemical resistance due to the use of quality stainless steel materials, AISI 316L
- Easy handling and good cleanability thanks to ergonomic design
- Quick and simple replacement of the empty stacked disc cartridges
- Low capital costs with relatively large filter areas and simple integration into existing processes
- Variable application options using different stacked disc cartridges with flat adapter or double O-ring adapter. Variable column heights allow for adaptable filter area
- Small footprint due to compact design and thus easy integration into existing filtration processes

Other versions as double O-ring adapter, drain connection, heating jacket, split dome, electro polish as well as additional components for complete systems according to customer specifications are possible.



#### Technical Data

<b>Operating pressure / - temperature liquids/gases:</b>	-14.5/145 psi (-1 /+10bar) at -4/302 °F (-20 /+150 °C)*
<b>Product contacting parts :</b>	Stainless steel AISI 316L
<b>Other parts:</b>	Stainless steel AISI 316L
<b>Surfaces:</b>	Ra < 0,8 µm
<b>Fluid group:</b>	1 + 2
<b>Design:</b>	EN 13445
<b>Acceptance:</b>	DGRL (PED) 2014/68/EU
<b>ATEX classification:</b>	II 2 GD IIC

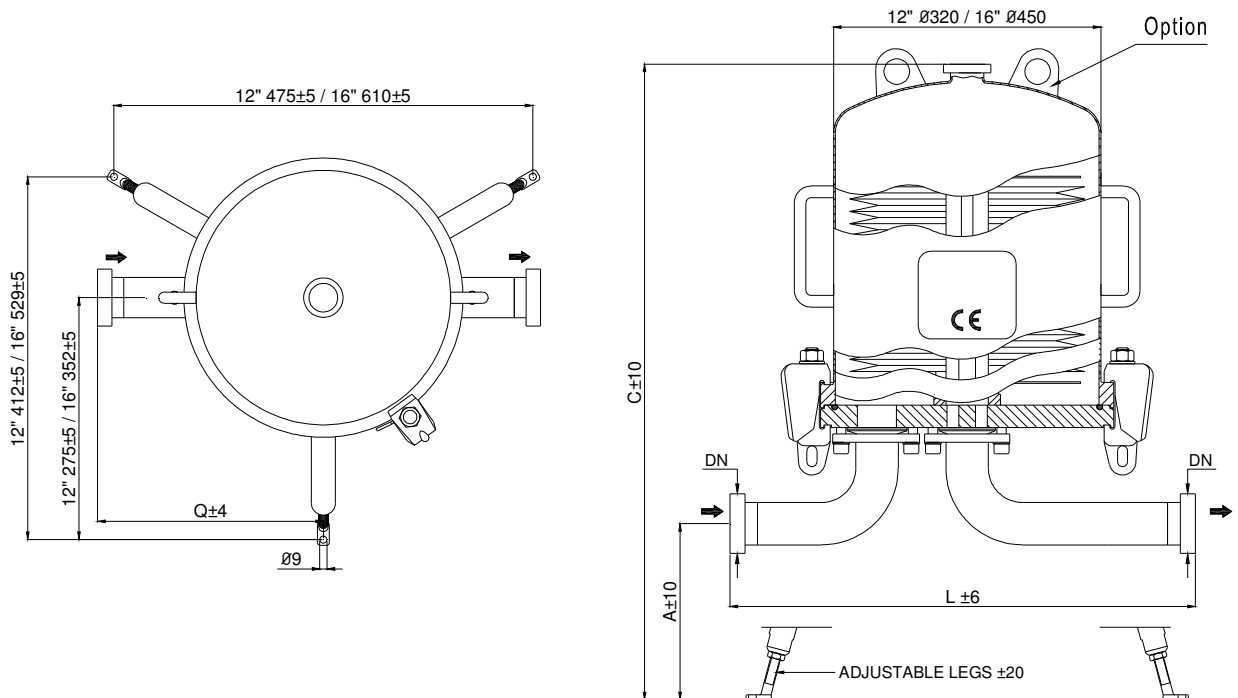
\* For 16" housings in 2, 3 and 4 times high design the max. pressure for hazardous gases (according to PED 2014/68/EU) is limited to 130.5, 87 and 72.5 psi (9, 6 and 5 bar). These housings can also be ordered as a 145 psi version (10 bar) at extra cost.

<b>Gaskets/ O-rings:</b>	EPDM, (Silicone, Viton or FEP-coated available upon request)
<b>Housing closure:</b>	Clamp screws M16 12": 8 screws / 16": 16 screws
<b>Filter inlet/outlet:</b>	TC 2" (ASME BPE) (alternatives as DIN11851 or flange upon request)
<b>Vent connection:</b>	TC 1,5" (ASME BPE)
<b>Drain connection:</b>	None (available upon request)
<b>Fittings:</b>	Vent and drain units available upon request



Type	Filter area*	Number and size of stacked disc cartridges	Dimensions A x C x Q x L	Vessel capacity	Article no.	Weight
	ft <sup>2</sup> (m <sup>2</sup> )		in (mm)	gal (l)		≈ lbs (kg)
12"/1F	20.45 (1,9)	1 x 12"	13.6 x 38.2 x 11.5 x 20.9 (345 x 970 x 293 x 530)	8.5 (32)	MA121050	130 (59)
12"/2F	40.90 (3,8)	2 x 12"	13.6 x 48.8 x 11.5 x 20.9 (345 x 1240 x 293 x 530)	14 (53)	MA221050	145.5 (66)
12"/3F	61.35 (5,7)	3 x 12"	13.6 x 59.8 x 11.5 x 20.9 (345 x 1520 x 293 x 530)	19.5 (74)	MA321050	163.1 (74)
12"/4F	81.81 (7,6)	4 x 12"	13.6 x 71.7 x 11.5 x 20.9 (345 x 1820 x 293 x 530)	25.4 (96)	MA421050	180.8 (82)
16"/1F	39.83 (3,7)	1 x 16"	13.6 x 38.6 x 13.1 x 24.8 (345 x 980 x 333 x 631)	16.6 (63)	MA141050	220.5 (100)
16"/2F	79.65 (7,4)	2 x 16"	13.6 x 49.2 x 13.1 x 24.8 (345 x 1250 x 333 x 631)	27.7 (105)	MA241050	242.5 (110)
16"/3F	119.48 (11,1)	3 x 16"	13.6 x 61 x 13.1 x 24.8 (345 x 1550 x 333 x 631)	38.8 (147)	MA341050	266.8 (121)
16"/4F	159.31 (14,8)	4 x 16"	13.6 x 72.8 x 13.1 x 24.8 (345 x 1850 x 333 x 631)	50.5 (191)	MA441050	288.8 (131)

\* when using 16-cell stacked disc cartridges





**North America**  
44 Apple Street  
Tinton Falls, NJ 07724  
Toll Free: 800 656-3344  
(North America only)  
Tel: +1 732 212-4700

**Europe/Africa/Middle East**  
Auf der Heide 2  
53947 Nettersheim, Germany  
Tel: +49 2486 809-0

Friedensstraße 41  
68804 Altlußheim, Germany  
Tel: +49 6205 2094-0  
An den Nahewiesen 24  
55450 Langenlonsheim, Germany  
Tel: +49 6704 204-0

**China**  
No. 3, Lane 280,  
Linhong Road  
Changning District, 200335  
Shanghai, P.R. China  
Tel: +86 21 5200-0099

**Singapore**  
100G Pasir Panjang Road #07-08  
Singapore 118523  
Tel: +65 6825-1668

**Brazil**  
Av. Ermano Marchetti, 1435 -  
Água Branca, São Paulo - SP,  
05038-001, Brazil  
Tel: +55 11 3616-8461

**For more information, please  
email us at [filtration@eaton.com](mailto:filtration@eaton.com)  
or visit [www.eaton.com/filtration](http://www.eaton.com/filtration)**

EN  
1A26196  
10-2019

© 2019 Eaton. All rights reserved. All trademarks and registered trademarks are the property of their respective owners. All information and recommendations appearing in this brochure concerning the use of products described herein are based on tests believed to be reliable. However, it is the user's responsibility to determine the suitability for his own use of such products. Since the actual use by others is beyond our control, no guarantee, expressed or implied, is made by Eaton as to the effects of such use or the results to be obtained. Eaton assumes no liability arising out of the use by others of such products. Nor is the information herein to be construed as absolutely complete, since additional information may be necessary or desirable when particular or exceptional conditions or circumstances exist or because of applicable laws or government regulations.



Powering Business Worldwide