



peiro, s.a.

Cartridge Filter Housings

AVPP SlimLine

AVPP SlimLine filter housings are available in polypropylene, nylon or polypropylene with transparent SAN-ump. Different lengths of sumps in 5", 10" or 20" as well as different connection sizes from 1/4", 3/8" to 1/2" round off the AVPP SlimLine series range. One important feature of the AVPP housings is the special inking of the filter head and filter sump. In regard to this the version made of polypropylene with a blue sump and black filter head is also termed AVPP SlimLine Blue. The nylon version is black and termed AVPP SlimLine Black. In contrast AVPP SlimLine Clear is the name for the filter housing with a transparent sump and light-blue filter head.

AVPP-Standard

Like the AVPP SlimLine, AVPP Standard filter housings are available in polypropylene, nylon or polypropylene with transparent SAN-ump. Additionally a version made of polypropylene-natural is also available. All AVPP Standard housings have a 3/4" connection and sumps in 10" and 20" lengths. These exclude the transparent lower parts made of SAN, which are available in 10" only. The different inking of filter head or filter sump is used to identify and label the AVPP housings. The version made of polypropylene with blue sump and black filter head is labelled AVPP Standard Blue. The nylon version is black and labelled AVPP Standard Black and AVPP Standard Clear is the label of the version with a transparent sump and light blue filter head. Housings made of polypropylene-natural are labelled AVPP Standard natural.

AVPP-BigBlue

AVPP BigBlue filter housings are designed for larger flow rate capacities than the AVPP Standard housings and have connections of 1" and 1 1/2". Special BigBlue filter elements with an external diameter of 110 mm are available to meet requirements of larger flow rates. By using a centring adapter to align the inner cartridges, all filter elements with standard diameter can also be used. AVPP BigBlue housings are made of polypropylene with a black filter head and blue sump of 10" and 20" lengths. All AVPP BigBlue housings can be delivered with an bracket for wall mounting. A plastic ring spanner can also be supplied for an easier opening and closing of the housing sump when changing the filter element.



AVPP-Cartridge Filter Housing

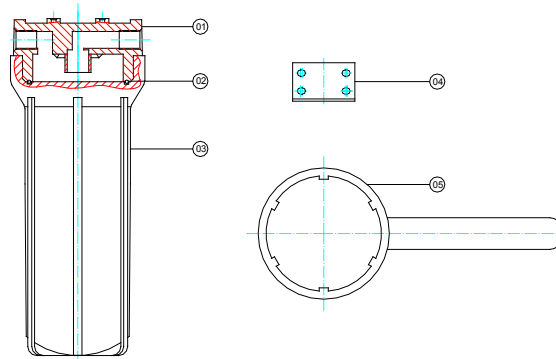
Applications

- Pre-filters for reverse-osmosis plant
- Fine filters for acids and lyes
- Drinking water processing
- Cooling circuits
- Well water

Features and Benefits

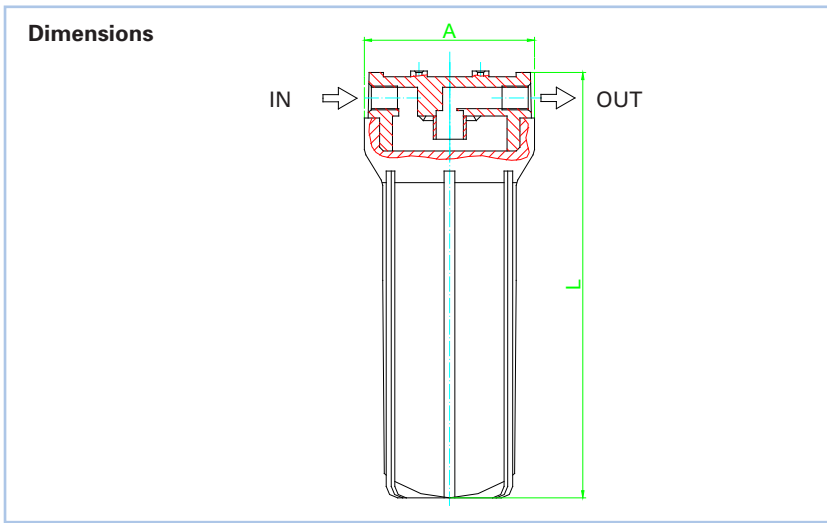
- Connections of 1/4" to 1 1/2"
- 2-part construction consisting of head and sump
- Made entirely of polypropylene, alternatively with transparent sump
- For cartridges 4 7/8", 9 3/4" or 20" lengths

Spare parts



Spare parts

Pos.	Description			Material	Order designation	Order-No.			
1	Head	- SLM	- Blue	PP, black	AVPP-KOPF-½SLM-S	000083			
					AVPP-KOPF-¼SLM-S	000074			
					AVPP-KOPF-3/8SLM-S	000078			
			- Clear	PP, blue	AVPP-KOPF-½SLM-B	000085			
					AVPP-KOPF-¼SLM-B	002825			
					AVPP-KOPF-3/8SLM-B	000080			
			- Black	PA, black	AVPP-KOPF-½SLM-BLACK	002559			
					- STM	- Blue	PP, black	AVPP-KOPF-¾STM-S	000087
							- Clear	PP, blue	AVPP-KOPF-¾STM-B
			- Natural	PP, natural	AVPP-KOPF-¾STM-N	000104			
					- BBM	- Blue	PP, black	AVPP-KOPF1---BBM-S---HFP	000098
								AVPP-KOPF11/2BBM-S-HFP	000102
		2	O-ring	- SLM		Buna	AVPP-ORBUN-SL	000140	
						Viton	AVPP-ORVIT-SL	000141	
EPDM	AVPP-OREPR-SL					001183			
Viton-FEP	AVPP-ORFEP-SL					003964			
- STM						Buna	AVPP-ORBUN-ST	000142	
						Viton	AVPP-ORVIT-ST	000143	
						EPDM	AVPP-OREPR-ST	001184	
- BBM				Viton-FEP	AVPP-ORFEP-ST	004401			
				Buna	AVPP-ORBUN-BB	001136			
				Viton	AVPP-ORVIT-BB	004721			
				EPDM	AVPP-OREPR-BB	001358			
3	Sump			- SLM	- Blue	PP, blue	AVPP-SUMPF05SL-B	000108	
							AVPP-SUMPF10SL-B	000115	
							AVPP-SUMPF20SL-B	000119	
		- Clear	PP, clear				AVPP-SUMPF05SL-C	000109	
							AVPP-SUMPF10SL-C	000116	
							AVPP-SUMPF20SL-C	004096	
			- Black				PA, black	AVPP-SUMPF10SL-S	004095
				AVPP-SUMPF20SL-S	004095				
		- STM	- Blue	PP, blue	AVPP-SUMPF10ST-B	000111			
					AVPP-SUMPF20ST-B	000120			
					- Clear	PP, clear	AVPP-SUMPF10ST-C	000112	
					- Black	PA, black	AVPP-SUMPF10ST-R	000113	
					- Natural	PP, natural	AVPP-SUMPF10ST-N-A	000125	
					- BBM	- Blue	PP, blue	AVPP-SUMPF10BB-B	000117
AVPP-SUMPF20BB-B	000118								
4	Bracket with screws	- SLM		Zinc-plated steel	AVPP-WINKEL-SL	000250			
		- STM		Zinc-plated steel	AVPP-WINKEL-ST	000251			
		- BBM		Stainless steel	AVPP-WINKEL-BB-VA	008441			
5	Key	- SLM		PP	AVPP-KEY-SL-SW1	000244			
		- STM			AVPP-KEY-ST-SW2	000245			
		- BBM			AVPP-KEY-BB-SW3	000246			



Dimensions

Type	- Blue		- Clear		- Black		- Natural	
	A	L	A	L	A	L	A	L
<i>Slimline</i>								
AVPP05SLM	112	170	112	175	112	170		
AVPP10SLM	112	290	112	350				
AVPP20SLM	112	555			112	555		
<i>Standard</i>								
AVPP10STM	130	305			130	310		
AVPP12STM							118	305
AVPP20STM	130	565			130	570	130	570
<i>Big Blue</i>								
AVPP10BBM	185	330			185	335		
AVPP20BBM	185	600			185	605		

Technical Specification

AVPP-SlimLine	- Blue	- Clear	- Black	- Natural
Inlet and outlet	¼", 3/8", ½"	¼", 3/8", ½"	½"	---
Operating pressure	10 bar @ 20°C	10 bar @ 20°C	10 bar @ 20°C	---
Operating temperature	60°C @ 5 bar	50°C @ 6.5 bar	70°C @ 8.5 bar	---
Material filter head	Polypropylene, black	Polypropylene, blue	Polyamid, black	---
Material sump	Polypropylene, blue	SAN, transparent	Polyamid, black	---
Material gaskets	Buna, Viton, EPDM	Buna, Viton, EPDM	Buna, Viton, EPDM	---
Length filter element	Typ 05: 4 7/8"	Typ 05: 4 7/8"	Typ 20: 20"	---
	Typ 10: 9 ¾"	Typ 10: 9 ¾"	Typ 10: 9 ¾"	---
	Typ 20: 20"			---

Technical Specification

AVPP-Standard	- Blue	- Clear	- Black	- Natural
Inlet and outlet	¾"	¾"	¾"	¾"
Operating pressure	max. 10 bar @ 20°C	max. 10 bar @ 20°C	max. 10 bar @ 20°C	max. 8 bar @ 20°C
Operating temperature	max. 60°C @ 5 bar	max. 50°C @ 6.5 bar	max. 70°C @ 8.5 bar	max. 60°C @ 3 bar
Material filter head	Polypropylene, black	Polypropylene, blue	Polyamid, black	Polypropylene, natural
Material sump	Polypropylene, blue	SAN, transparent	Polyamid, black	Polypropylene, natural
Material gaskets	Buna, Viton, EPDM	Buna, Viton, EPDM	Buna, Viton, EPDM	Viton
Length filter element	Typ 10: 9 ¾"	Typ 10: 9 ¾"	Typ 10: 9 ¾"	Typ 10: 9 ¾" DOE
	Typ 20: 20"	---	Typ 20: 20"	Typ 12: 10" Code 5
				Typ 20: 20" DOE
			Typ 20 : Code 0	

Technical Specification

AVPP-BigBlue	- Blue	- Clear	- Black	- Natural
Inlet and outlet	1", 1 1/2"	---	---	---
Operating pressure	max. 8 bar @ 20°C	---	---	---
Operating temperature	max. 60°C @ 3 bar	---	---	---
Material filter head	Polypropylene, black	---	---	---
Material sump	Polypropylene, blue	---	---	---
Material gasket	Buna, Viton, EPDM	---	---	---
Length filter element	Typ 10: 9 3/4"	---	---	---
	Typ 20: 20"	---	---	---

Order example

AVPP	10	BB	M	-	R 1 1/2	-	SBB	-	E	-	-	-	-	-	HFP
1	2	3	4		5		6		7		8	9	10		11

Order information

Pos.	Designation
1	AVPP Cartridge filter housings made of plastic
2	05 = Housing length for 4 7/8 cartridges (124 mm) 10 = Housing length for 9 3/4" cartridges (248 mm) 20 = Housing length for 20" cartridges (508 mm) 12 = Housing length for adapter cartridges code 5 (222/Fin) 20-222: for adapter cartridges Code 0 (222/Cap)
3	SL = Slim Line series ST = Standard series BB = BigBlue – series
4	M = Assembly drillings - without assembly drillings
5	Slim Line: R 1/4", R 3/8", R 1/2", In-/outlet Standard: R 3/4 In-/outlet Big-Blue: R 1", R 1 1/2" In-/outlet
6	Colour head, sump and material o-ring SBB -> Black-Blue-Buna BCB -> Blue-Clear-Buna NNV -> Natural-Natural-Viton RRS -> Red-Red-Silicone HHS -> Hot-Hot-Silicone HH- -> Hot-Hot- without o-ring
7	E = Vent head – red - = without a vent (Standard)
8	S = Plug entering head side- on 1/4"- = without plug
9	S = Plug emerging from head side-on 1/4"- = without plug
10	A = Drainage plug in sump 1/4"
11	HFP = For BB housings with head made of glass-fiber-reinforced PP M6L = M6 thread insert made of V2A in the assembly drillings M6LVRL = like M6L, with protrusion in the head

Accessories, Mountings & Adapters see page 95 (01WTKF-housings)