



peiro,s.a.

Cartridge Filter Housings

Cartridge filter housing made entirely of polypropylene

01WTKF Cartridge filter housings with internal thread connections of 1/4", 3/8", 1/2", 3/4", or 1" are available with a polypropylene head and a transparent lower part made from SAN or made entirely of polypropylene. Filter housings with 1 1/4" and 1 1/2" connections are implemented with a brass threaded insert. The lower parts made from SAN are suitable to accept filter elements in the lengths of 124 mm (4 7/8"), 127 mm (5") or 248 mm (9 3/4"). An additional lower part with a filter element in the length of 508 mm (20") can be offered for the version with a polypropylene lower part. Bracket mounting kits for the wall assembly of the filter housings can also be supplied. For an easy assembly of the lower parts ring spanners made from plastic are available.



01WTKF Cartridge Filter Housing

Technical data

Material:	Head: 1/4" – 1": Polypropylene 1 1/4" and 1 1/2": PP with brass bushing
	Sump: Polypropylene or SAN, transparent
	O-Ring: Buna
In-/Outlet:	1/4", 3/8", 1/2", 3/4", 1", 1 1/4" or 1 1/2"
Drain:	–
Vent:	–
Filter elements:	01WTKF04: 124 mm long (4 7/8")
	01WTKF05: 127 mm long (5")
	01WTKF09: 248 mm long (9 3/4")
	01WTKF20: 508 mm long (20")
Temperature:	Max. 50°C at 3 bar
	Max. 8 bar at 20°C
Measurements:	see drawing and table page 2
Flow rate:	The maximum flow rate correlates to the nominal diameter of the housing connection and the characteristic curve of the flow rate of the chosen filter element.

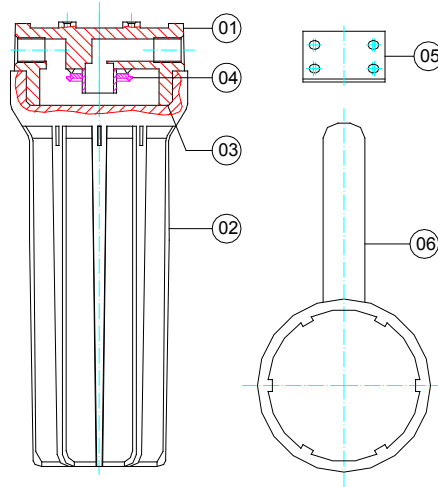
Applications

- Cooling circuits
- Pre-filters for reverse-osmosis plants
- Fine filters for acids and lyes
- Drinking water processing
- Well water

Features and Benefits

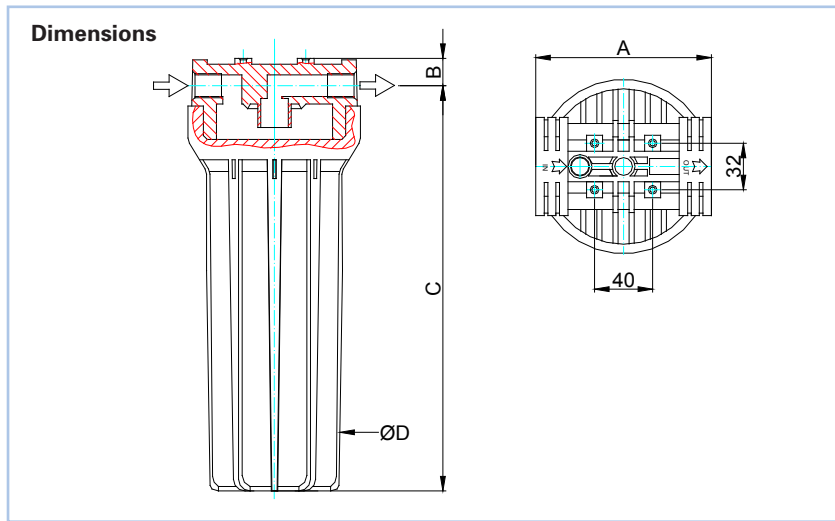
- Connections of 1/4" to 1 1/2"
- 2-part construction consisting of head and lower part
- Made entirely of polypropylene
- Alternatively with transparent SAN sump
- For cartridges 4 7/8" to 20", DOE

Spare parts



Spare parts

Pos.	Description	Material	Order designation	Order No.
1	Head	Polypropylene, blue	01WTKF-Kopf-¼	004613
			01WTKF-Kopf-3/8	003666
			01WTKF-Kopf-½	003674
			01WTKF-Kopf-¾	003676
			01WTKF-Kopf-1	003677
			01WTKF-Kopf-1 ¼-Ms	004616
			01WTKF-Kopf-1 ½-Ms	004618
2	Sump	Polypropylene, blue	01WTKF-Sumpf-05-B	003701
			01WTKF-Sumpf-09-B	003702
			01WTKF-Sumpf-20-B	003703
		SAN, transparent	01WTKF-Sumpf-05-C	003698
			01WTKF-Sumpf-09-C	003700
3	O-ring for housing	Buna	01WTKF-ORBUN-GEH	003687
		EPDM	01WTKF-OREPDM-GEH	004872
		Viton	01WTKF-ORVIT-GEH	006085
4	Adapter 4 7/8"	Polypropylene	01WTKF-Adapter-4 7/8	003707
5	Bracket-mounting kit	Polypropylene/Stainless steel	01WTKF-Haltewinkelset	006065
6	Housing key	Polypropylene	01WTKF-Schlüssel	003704



Dimensions

	01WTKF 04	01WTKF 05	01WTKF 09	01WTKF 20
A	122	122	122	122
B	20 + L	20 + L	20 + L	20 + L
C	160	160	290	545
D	90	90	90	90

L = depending on connection-size ¼ – 1 ½

Order example

01WTKF	04	3/8	-BB	
1	2	3	4	5

Order information

Pos.	Designation
1	01WTKF-Cartridge filter housing
2	04: 124 mm long (4 7/8") 05: 127 mm long (5") 09: 248 mm long (9 3/4") 20: 508 mm long (20")
3	1/4: R 1/4" Internal thread 3/8: R 3/8" Internal thread 1/2: R 1/2" Internal thread 3/4: R 3/4" Internal thread 1: R 1" Internal thread 1 1/4: R 1 1/4" Brass connection 1 1/2: R 1 1/2" Brass connection
4	BB: Polypropylene head Polypropylene lower part CB: Polypropylene head SAN lower part
5	- Special fabrication

Accessories, Mountings & Adapters

Fittings and accessories for our filter housings made of stainless steel, brass or plastic increase the use and safety for the user and for the operating personnel. We offer useful accessories and options for all filter housings to complete the standard versions.



Accessories

Vents necessary for operation to release the pressure when changing filters, instruments suitable for rest-drainage, pressure controls and gauges when using the filter housings are a typical equipment for pressure vessels, and can be custom made and delivered for specific use.



Mountings

Operating and assembly aids such as ring spanners, volume reducers for the reduction of the housing volume, wall brackets or tripods are useful accessories for the installation and maintenance of the filter housings.



Adapters

Adapter components are often necessary when installing Filter elements into the filter housings. We therefore offer a multitude of adaptation possibilities, e.g. adapters for range adjustments, adapters for the connection of additional filter elements or adapters as a centring assistance to be used in the installation of the filter elements.

