

TOPLINE™ T-Bolt Closure Single Bag Filter Housings



*Safe, Simple in operation
and very Fast. The top of the
range in closing systems*

Eaton's unique T-Bolt closure system makes these TOPLINE single bag housings the ultimate design reducing downtime through faster maintenance.

The quick opening and closing through a simple central T-Bolt, equipped with a unique safety mechanism makes these the units of choice for demanding applications with frequent maintenance needs whilst assuring a safe and easy handling. The alternative tangential outlet lowers the height level for an easier and more ergonomically maintenance.

Features

- T-Bolt opening and closing mechanism allows for quick access
- No need for tools or wrenches
- Design in accordance with "AD 2000-Merkblätter", EN 13445 and PED
- Automatic, built-in safety mechanism ensures a slight lid lifting of the cover before full opening
- Made in 316 SS grades for high corrosion resistance
- Robust cast components with smooth bead-blast finish allows for easy cleaning of the interior

Options

- Available in 10 bar and 16 bar @ 160 °C versions
- With standard I/O connections in DN50 and DN80 in DIN and ANSI
- CE marking available on request
- Alternative tangential outlet allows for the lowest possible height for easier maintenance
- Features standard Eaton restrainer basket fitting all Eaton bags and tools
- Buna N® O-rings for the cover are standard. EPDM, FPM or FEP encapsulated FPM are also available
- Also available in MINILINE configuration (bag size 03-04 available on demand)

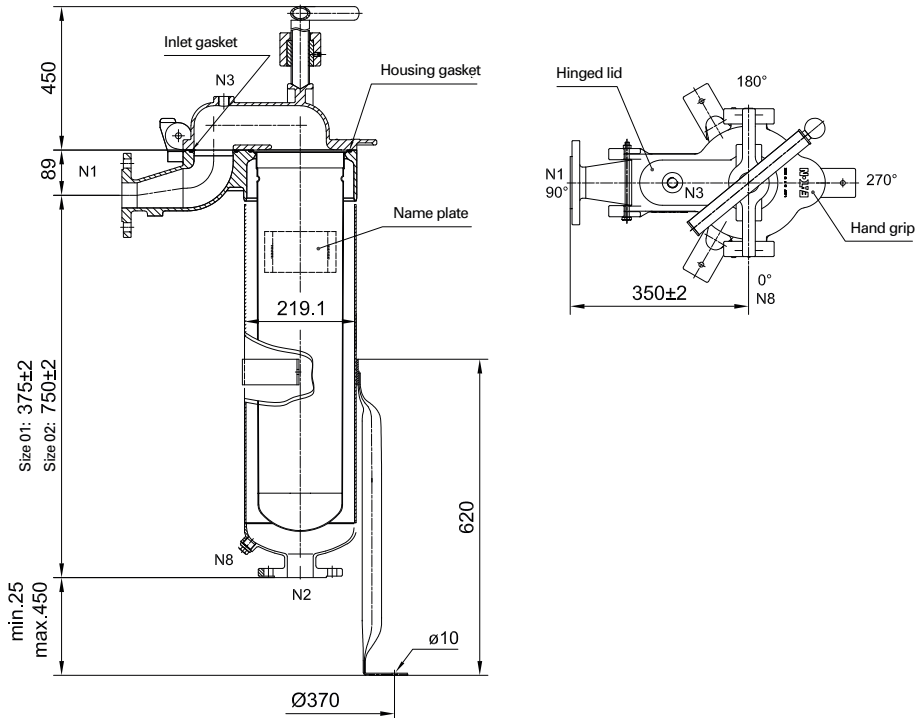


Top inlet connection with hinged cover make filter bag change-outs quick and easy. Picture reference to flow design, identical to standard bolted Topline.

TOPLINE™ T-Bolt Closure Single Bag Filter Housings

Applications

Coarse filtration > 500 µm	
Medium filtration > 10 µm	✓
Fine filtration < 10 µm	✓
Pre-filtration	✓
Safety filtration	✓
High volume	
Batch filtration	✓
Circuit filtration	✓
Continuous filtration	
Solvents, paints	✓
Fats and oils	✓
Catalyst, activated carbon	✓
Acids, bases	✓
Petrochemicals	✓
Water, waste water	✓
Chemical industry	✓
Pharmaceuticals	✓
Metal cleaning	✓
Automotive	✓
Electronics	✓
Food and beverage	✓
Paint and lacquer	✓
Water treatment	✓
Galvanic industry	✓



TTBF-0101 and TTBF-0102

Technical data

Models	No. of filter bags	Size	Flow rate ¹ m ³ /h	Max. pressure bar	Max. temp. °C	Housing volume l	Housing weight kg	I/O connections
TTBF-0101-AD10-050D	1	1	20	10	160	15	54	DN 50 PN 16 (DIN flange)
TTBF-0102-AD10-050D	1	2	40	10	160	28	60	DN 50 PN 16 (DIN flange)
TTBF-0101-AD10-080D	1	1	20	10	160	15	54	DN 80 PN 16 (DIN flange)
TTBF-0102-AD10-080D	1	2	40	10	160	28	60	DN 80 PN 16 (DIN flange)
TTBF-0101-AG16-050D	1	1	20	16	160	15	54	DN 50 PN 16 (DIN flange)
TTBF-0102-AG16-050D	1	2	40	16	160	28	60	DN 50 PN 16 (DIN flange)
TTBF-0101-AG16-080D	1	1	20	16	160	15	54	DN 80 PN 16 (DIN flange)
TTBF-0102-AG16-080D	1	2	40	16	160	28	60	DN 80 PN 16 (DIN flange)

¹ Maximum theoretical flow based on water viscosity, filter bag specific.

North America
44 Apple Street
Tinton Falls, NJ 07724
Toll Free: 800 656-3344
(North America only)
Tel: +1 732 212-4700

Greater China
No. 7, Lane 280,
Linhong Road
Changning District, 200335
Shanghai, P.R. China
Tel: +86 21 5200-0099

Europe/Africa/Middle East
Auf der Heide 2
53947 Nettersheim, Germany
Tel: +49 2486 809-0
Friedensstraße 41
68804 Altlußheim, Germany
Tel: +49 6205 2094-0

Asia-Pacific
100G Pasir Panjang Road
#07-08 Interlocal Centre
Singapore 118523
Tel: +65 6825-1668

An den Nahewiesen 24
55450 Langenlonsheim, Germany
Tel: +49 6704 204-0

For more information, please
email us at filtration@eaton.com
or visit www.eaton.com/filtration

© 2021 Eaton. All rights reserved. All trademarks and registered trademarks are the property of their respective owners. All information and recommendations appearing in this brochure concerning the use of products described herein are based on tests believed to be reliable. However, it is the user's responsibility to determine the suitability for his own use of such products. Since the actual use by others is beyond our control, no guarantee, expressed or implied, is made by Eaton as to the effects of such use or the results to be obtained. Eaton assumes no liability arising out of the use by others of such products. Nor is the information herein to be construed as absolutely complete, since additional information may be necessary or desirable when particular or exceptional conditions or circumstances exist or because of applicable laws or government regulations.

EN
EN-FBH-10.1
05-2021